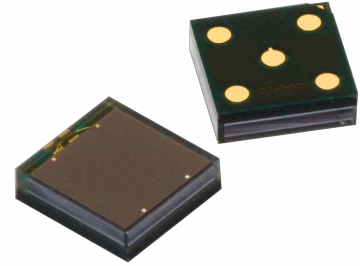


# AFBR-S4N44P014M

## NUV-MT Silicon Photomultiplier



### Description

The Broadcom<sup>®</sup> AFBR-S4N44P014M is single-channel silicon photomultiplier (SiPM) that is used for ultra-sensitive precision measurements of single photons. This SiPM is based on the NUV-MT technology, which combines improved photo-detection efficiency (PDE) with a decreased dark count rate and reduced crosstalk compared to the NUV-HD technology. The SPAD pitch is 40  $\mu\text{m}$ .

Larger areas can be covered by tiling multiple AFBR-S4N44P014M SiPMs. The encapsulation for good mechanical stability and robustness is realized by an epoxy clear mold compound, which is highly transparent down to UV wavelengths, resulting in a broad response in the visible light spectrum with high sensitivity towards the blue and near-UV region of the light spectrum. The SiPM is best suited for the detection of low-level pulsed light sources, especially for detection of Cherenkov or scintillation light from the most common organic (plastic) and inorganic scintillator materials (for example, LSO, LYSO, BGO, NaI, CsI, BaF, LaBr<sub>3</sub>). This product is lead-free and compliant with RoHS.

### Features

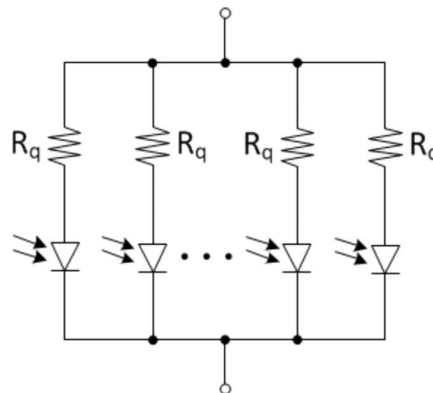
- High PDE (63% at 420 nm)
- 4-side tileable, with high fill factors
- Cell pitch: 40  $\mu\text{m}$
- Highly transparent epoxy protection layer
- Operating temperature range from  $-20^{\circ}\text{C}$  to  $+60^{\circ}\text{C}$
- Excellent SPTR and CRT
- Excellent uniformity of breakdown voltage and gain between devices
- RoHS, CFM, and REACH compliant

### Applications

- X-ray and gamma-ray detection
- Nuclear medicine
- Positron emission tomography
- Safety and security
- Physics experiments
- Cherenkov detection

### Block Diagram

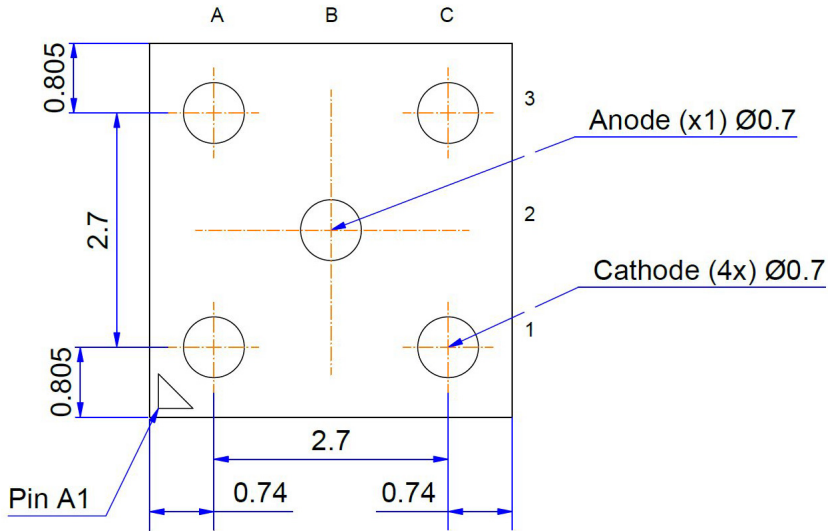
Figure 1: AFBR-S4N44P014M Block Diagram



# Pad Layout

The AFBR-S4N44P014M has four cathode pads and one anode pad. The pad layout is displayed in the following figure.

**Figure 2: Pad Layout**

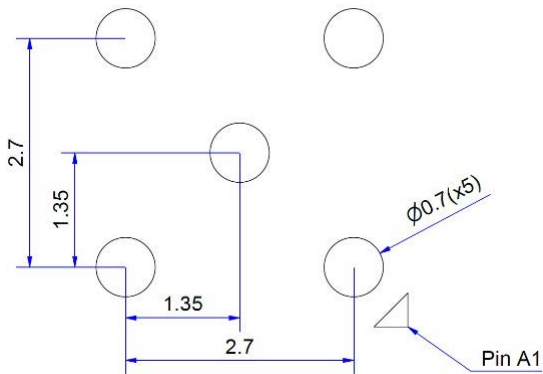


Pad	Function
A1,A3,C1,C3	Cathode
B2	Anode

**NOTE:**

- Dimensions are in mm.
- A stands for anode; C stands for cathode.

**Figure 3: Recommended Landing Pattern**

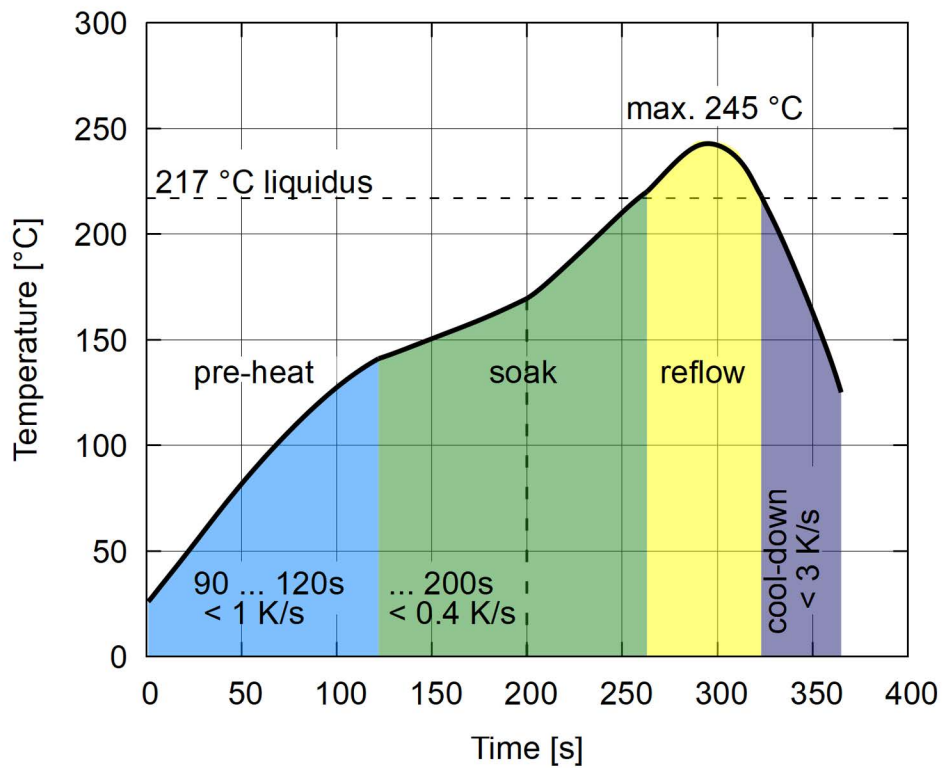


## Regulatory Compliance Table

Feature	Test Method	Performance
Electrostatic discharge (ESD) to the electrical pins, human-body model (contact ESD)	JESD22-A114	See <a href="#">Absolute Maximum Ratings</a> .
Electrostatic discharge (ESD) to the electrical pins, charged-device model	JESD22-C101F	See <a href="#">Absolute Maximum Ratings</a> .
Restriction of hazardous substances directive	RoHS Directive 2011/65/EU Annex II	Certified compliant.

## Reflow Soldering Diagram

Figure 4: Recommended Reflow Soldering Profile



## Absolute Maximum Ratings

Stresses in excess of the absolute maximum ratings can cause damage to the devices. Limits apply to each parameter in isolation. Absolute maximum ratings are those values beyond which damage to the device may occur if these limits are exceeded for other than a short period of time.

Parameter	Symbol	Min.	Max.	Unit
Storage Temperature	$T_{SG}$	-20	+60	°C
Operating Temperature <sup>a</sup>	$T_A$	-20	+60	°C
Soldering Temperature <sup>b,c</sup>	$T_{SOLD}$	—	245	°C
Lead Soldering Time <sup>b,c</sup>	$t_{SOLD}$	—	60	s
Electrostatic Discharge Voltage Capability (HBM)	$ESD_{HBM}$	—	2	kV
Electrostatic Discharge Voltage Capability (CDM)	$ESD_{CDM}$	—	500	V
Operating Overvoltage	$V_{OV}$	—	16	V

a. Biased at constant voltage = 12V above breakdown.

b. The tile is reflow solderable according to the solder diagram shown in [Figure 4](#).

c. Baking at 125°C for 16 hours is mandatory prior to soldering. MLD is according to MSL 6 with a floor life of 4 hours at 30°C and 60% relative humidity.

## Single Device Specification

Features are measured at 25°C unless otherwise specified.

## Geometric Features

Parameter	Symbol	Value	Unit
Package outer dimensions	PD	4.31 x 4.18	mm <sup>2</sup>
Single device area	DA	3.84 x 3.74	mm <sup>2</sup>
Active area	AA	3.72 x 3.62	mm <sup>2</sup>
Micro cell pitch	$L_{CELL}$	40	µm
Number of micro cells per element	$N_{CELLS}$	8334	—

## Optical and Electrical Features

Features are measured at 12V OV and 25°C unless otherwise specified.

Parameter	Symbol	Min.	Typical <sup>a</sup>	Max.	Unit	Reference Plots
Spectral range	$\lambda$	250	—	900	nm	<a href="#">Figure 5</a>
Peak sensitivity wavelength	$\lambda_{PK}$	—	420	—	nm	<a href="#">Figure 5</a>
Breakdown voltage	$V_{BD}$	32	32.5	33	V	<a href="#">Figure 7</a>
Temperature coefficient of breakdown voltage	$\Delta V_{BD}/\Delta T$	—	30	—	mV/°C	—
Photo-detection efficiency <sup>b</sup>	PDE	—	63	—	%	<a href="#">Figure 5, Figure 6</a>
Dark current per element	$I_D$	—	3.3	—	$\mu A$	<a href="#">Figure 7</a>
Dark count rate per element <sup>c</sup>	DCR	—	1.7	—	Mcps	<a href="#">Figure 8</a>
Dark count rate per unit area	$DCR_{mm^2}$	—	125	—	kcps/mm <sup>2</sup>	—
Gain	G	—	7.3	—	$\times 10^6$	<a href="#">Figure 9</a>
Optical crosstalk	$P_{XTALK}$	—	23	—	%	<a href="#">Figure 10</a>
Afterpulsing probability	$P_{AD}$	—	< 1	—	%	<a href="#">Figure 10</a>
Recharge time constant	$\tau_{FALL}$	—	55	—	ns	<a href="#">Figure 11</a>
Nominal terminal capacitance <sup>d</sup>	$C_T$	—	580	—	pF	—
Temperature coefficient of gain <sup>e</sup>	$\Delta G/\Delta T$	—	1.46	—	$\times 10^4/^\circ C$	—

a. Measured at 12V OV.

b. Measured at the peak sensitivity wavelength. Measurement does not include correlated noise, such as afterpulsing or optical crosstalk.

c. Measured at 0.5 p.e. amplitude. Measurement does not include delayed correlated events.

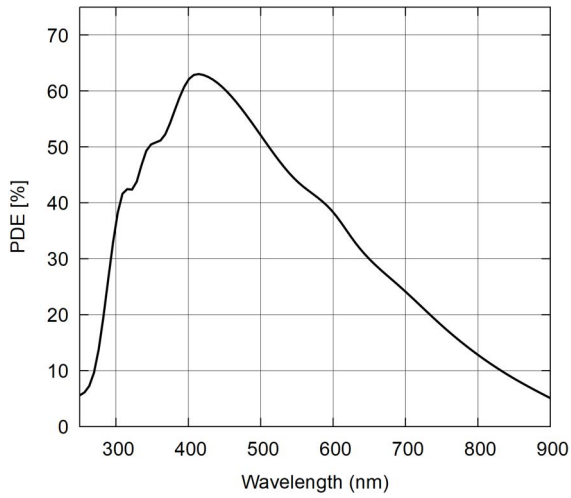
d. Measured using the input sine wave with  $f = 200$  kHz and  $V_{in} = 500$  mV.

e. Calculated from the gain dependence on V and the breakdown voltage temperature coefficient:  $dG/dT = dG/dV \times dVBD/dT$ .

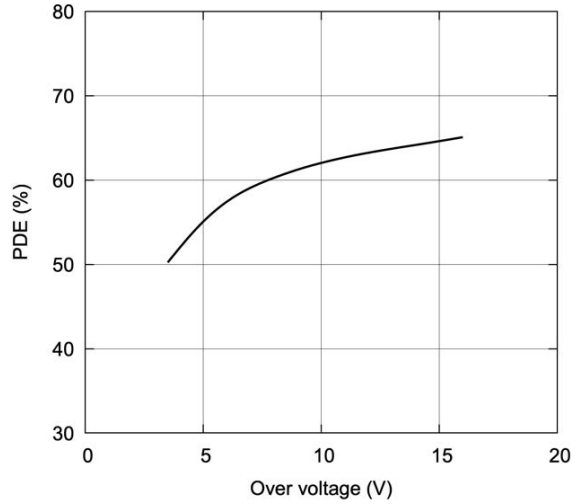
# Reference Plots

Features are measured at 25°C unless otherwise specified. Plotted data represents typical values.

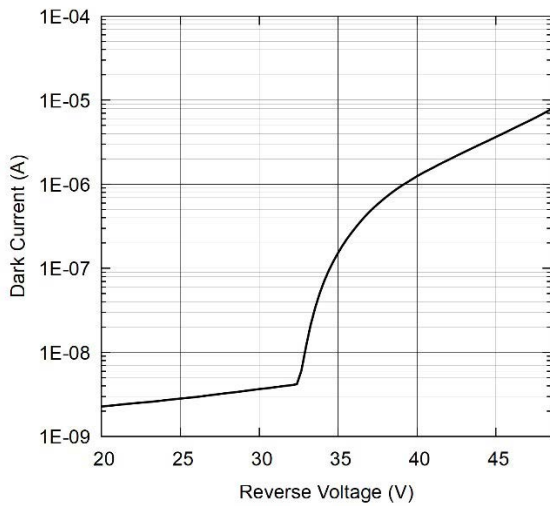
**Figure 5: PDE vs. Wavelength**



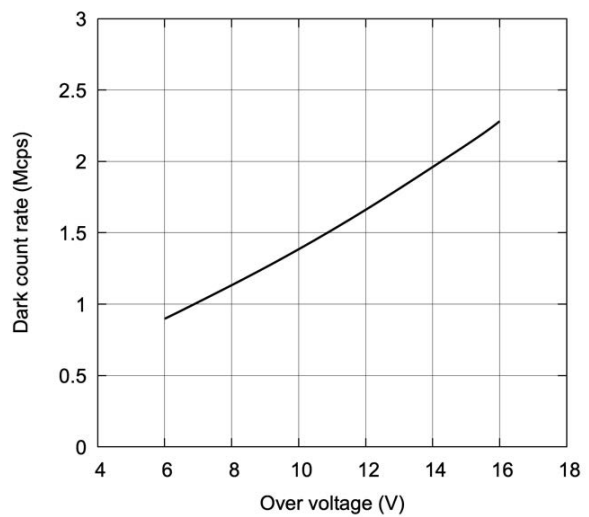
**Figure 6: PDE at Peak  $\lambda$  vs. OV**



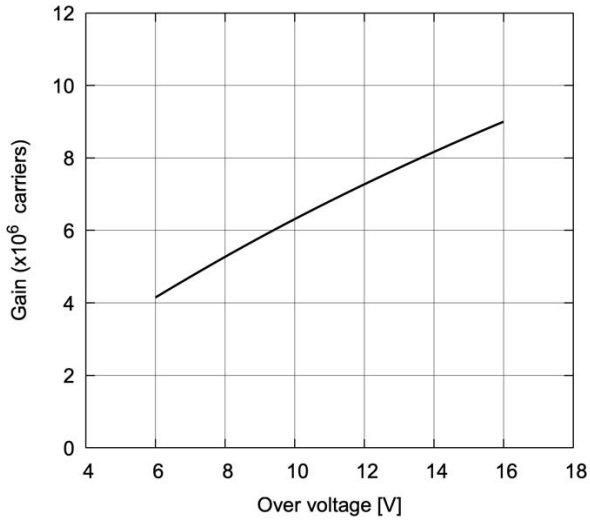
**Figure 7: Reverse IV Curve**



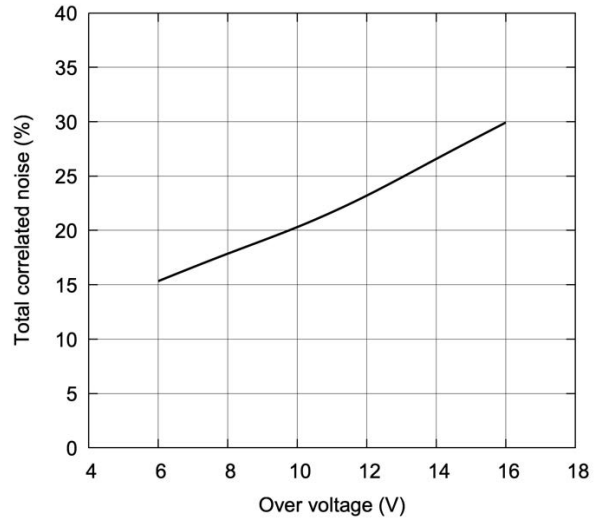
**Figure 8: Dark Count Rate vs. OV**



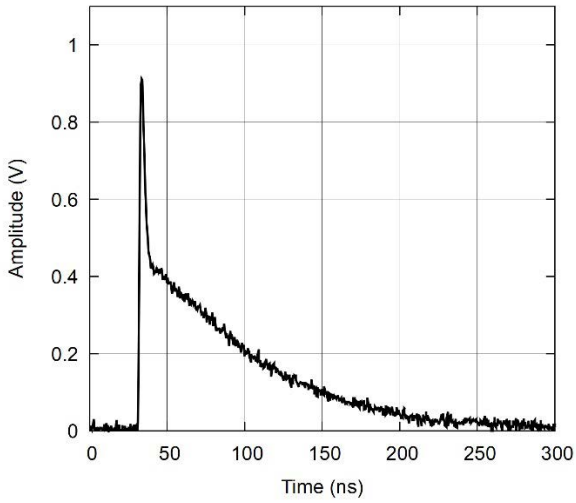
**Figure 9: Gain vs. OV**



**Figure 10: Correlated Noise vs. OV**

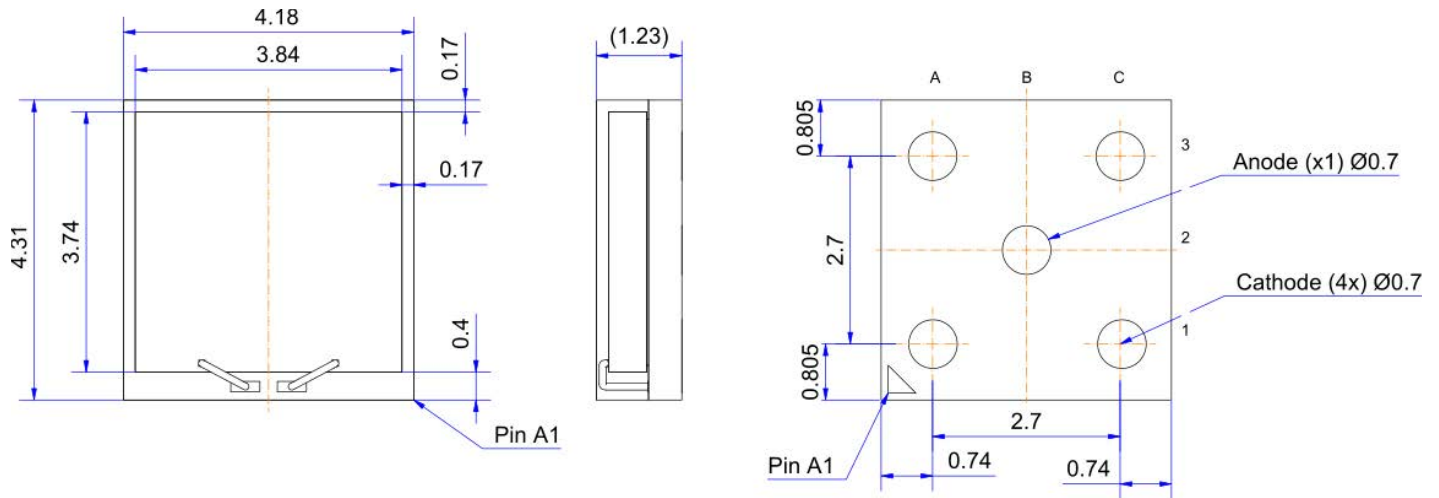


**Figure 11: Example Signal Measured at 12V OV**



# Mechanical Data – Package Outline

Figure 12: Package Outline Drawing (Dimensions in mm, Numbers Rounded to Two Decimal Places)



**NOTES**

- 1) Dimensions are in millimeters.
- 2) Nominal values rounded to two decimal places - Suppression of following zeros



Copyright © 2022–2023 Broadcom. All Rights Reserved. The term “Broadcom” refers to Broadcom Inc. and/or its subsidiaries. For more information, go to [www.broadcom.com](http://www.broadcom.com). All trademarks, trade names, service marks, and logos referenced herein belong to their respective companies.

Broadcom reserves the right to make changes without further notice to any products or data herein to improve reliability, function, or design. Information furnished by Broadcom is believed to be accurate and reliable. However, Broadcom does not assume any liability arising out of the application or use of this information, nor the application or use of any product or circuit described herein, neither does it convey any license under its patent rights nor the rights of others.