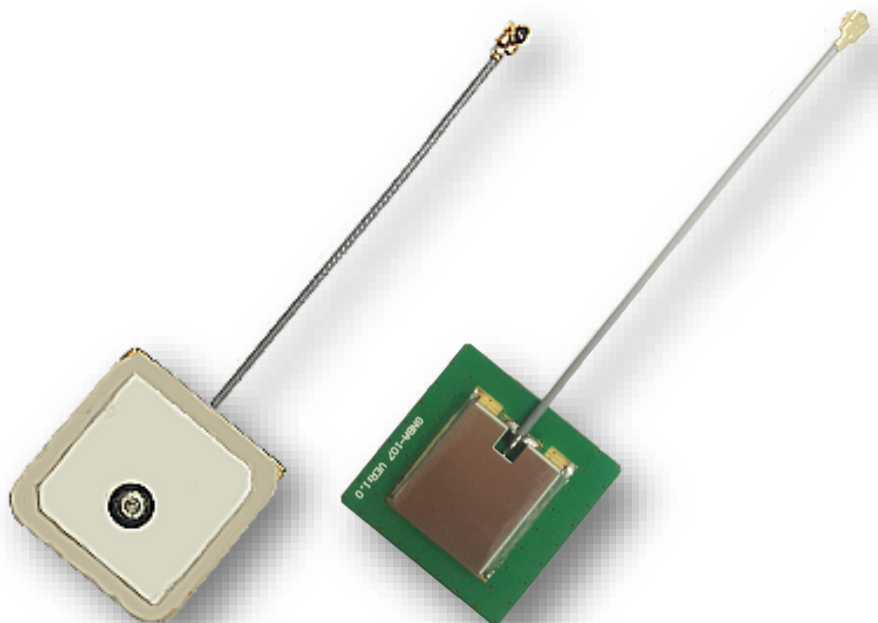


RYAGN40

**High Performance 25x25mm Two Stage LNA
GPS-GLONASS-GALILEO-BeiDou Embedded
Active Patch Antenna**

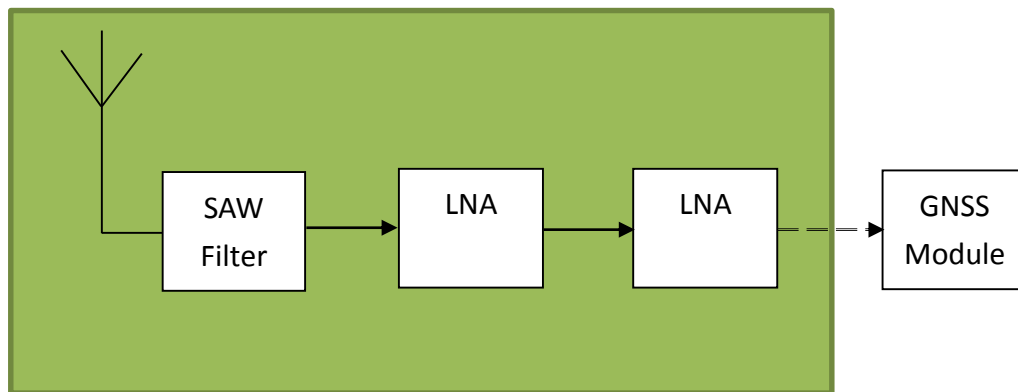
Datasheet



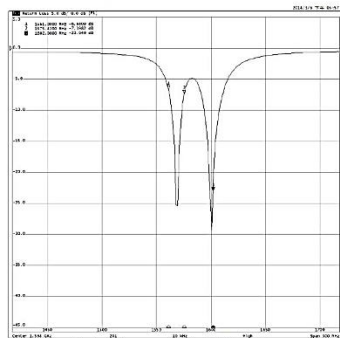
PRODUCT DESCRIPTION

The RYAGN40 active GNSS antenna, it has a wide-band operation over GPS/GLONASS/GALILEO/BeiDou systems. It includes a two-stage high performance LNA and excellent front-end SAW filter to reduce out of band noise.

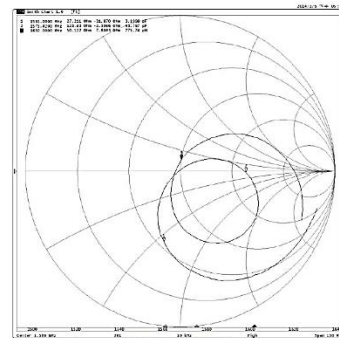
BLOCK DIAGRAM



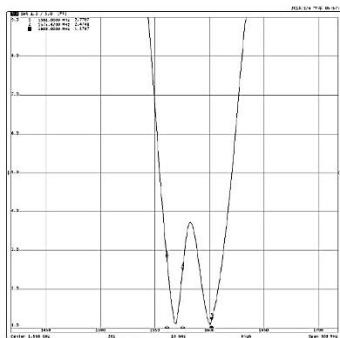
S11 RETURN LOSS & SMITH CHART MEASURE



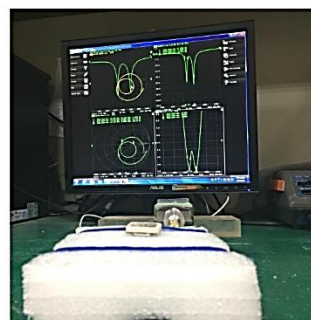
Return Loss : -6.66 @1561MHz
 Return Loss : -7.39 @1575.42MHz
 Return Loss : -23.04 @1602MHz



Impedance : 27.21 - j31.87 Ohm
 Impedance : 123.83 - j 2.3- Ohm
 Impedance : 50.12 + j7.80 Ohm



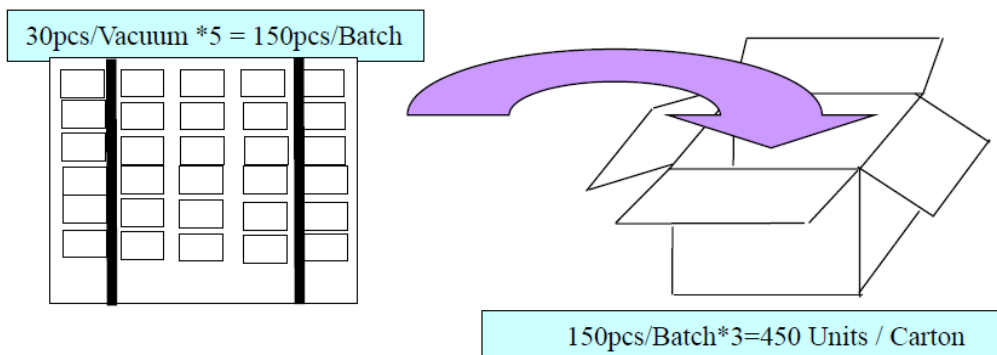
VSWR : 2.77 @1575.42MHz
 VSWR : 2.47 @1575.42MHz
 VSWR : 1.17 @1575.42MHz



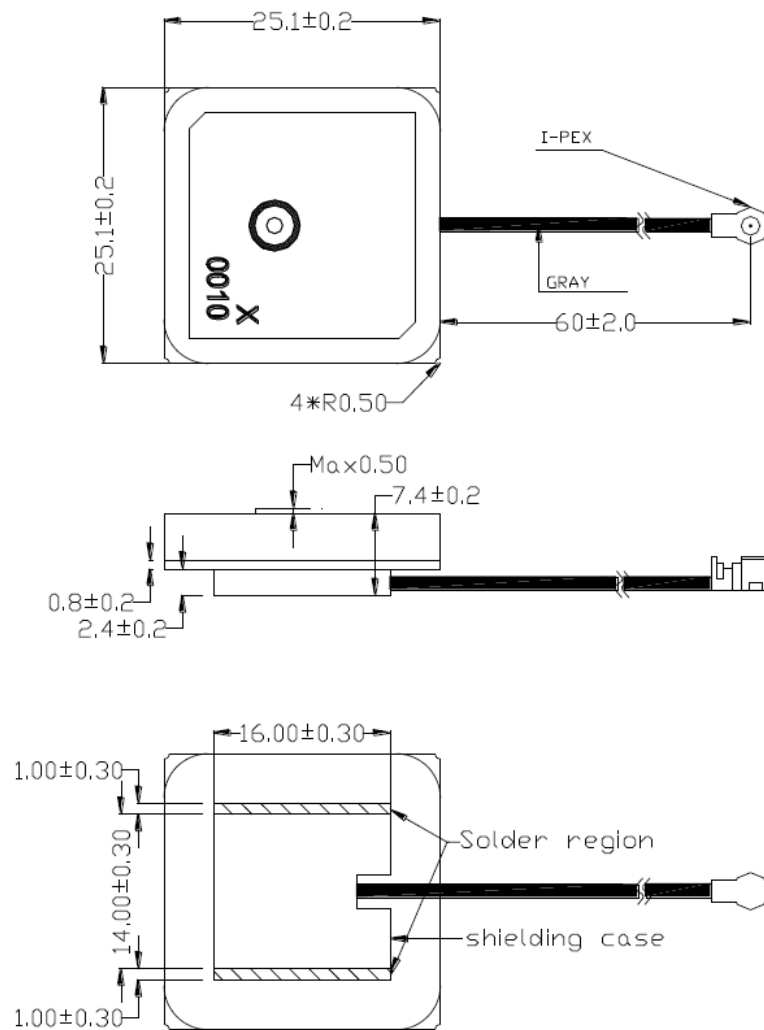
SPECIFICATION

Item	Min.	Typical	Max.	Unit	Condition
Operation Voltage	1.8	3	5.5	V	
RF Frequency Range	1559.052 1574.397 1597	1561.098 1575.42 1602	1563.144 1576.443 1607	MHz	BeiDou GPS, Galileo Glonass
Total Gain	24 22.5 23.5	27 25.5 26.5	30 28.5 29.5	dBi	BeiDou GPS, Galileo Glonass
Outer Band Attenuation	13 20			dB	1584 ± 50MHz 1584 ±100MHz
Output Impedance		50		Ω	
Output VSWR			2		
Power Consumption		5 10 23		mA	1.8V 3V 5.5V
Noise Figure		3		dB	
Relative Humidity	40		95	%	
Operating Temperature	-40	25	+85	°C	
Antenna Polarization					RHCP
RF Cable Length	58	60	62	mm	ψ1.13±0.1mm, Color : GRAY
Body Dimensions					25.1mm*25.1mm*7.4mm
Weight		11.5		g	

PACKAGE 450 units/Carton



DIMENSIONS



unit:mm



Taiwan: sales@reyax.com

China: sales@reyax.com.cn

<http://www.reyax.com>