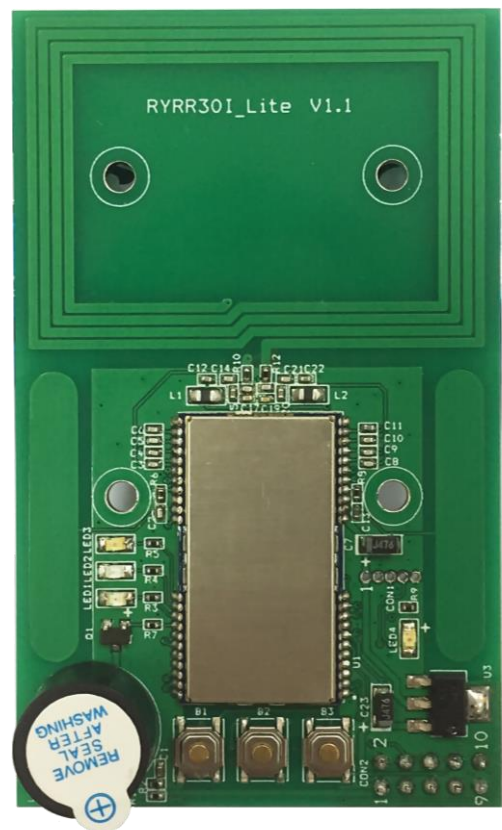


# RYRR30I\_Lite

Multiprotocol Fully  
Integrated 13.56MHz  
RFID & NFC Antenna Module

Datasheet



## PRODUCT DESCRIPTION

The RYRR30I\_Lite Antenna module is a 13.56-MHz RFID and Near Field Communication (NFC) system. Built-in programming options make the device suitable for a wide range of applications for proximity and vicinity identification systems.

## FEATURES

- Supports Near Field Communication (NFC) Standards NFCIP-1 (ISO/IEC 18092) Active P2P.
- Completely Integrated Protocol Handling for ISO15693, ISO14443A, ISO14443B and FeliCa.
- Capacitive sensing - Wake-up
- ST ST25R3911B NFC/RFID Engine.
- Firmware upgrade via UART Interface.
- Operation Temperature range: -40 to +85°C.

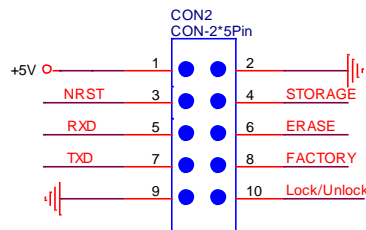
## APPLICATIONS

- RFID cards Reader
- Mobile Devices Near Field Communication

## SPECIFICATION

Item	Min.	Typical	Max.	Unit	Condition
Operation Voltage	4.8	5	5.2	V	+5V
V <sub>OH</sub>	0.9*VDD	VDD	VDD	V	TXD High-level output voltage
V <sub>OL</sub>	0	0	0.1*VDD	V	TXD Low-level output voltage
V <sub>IH</sub>	0.7*VDD	3.3	VDD	V	RXD High-level input voltage
V <sub>IL</sub>	0	0	0.3*VDD	V	RXD Low-level input voltage
RF Output Power			30	dBm	
RF transmit current		550		mA	
Communication Range		5		cm	Standard card
Reset Time		100		ms	
Baud Rate		115200		bps	8,N,1
RF Frequency Range	13.553	13.56	13.567	MHz	
Operating Temperature	-40	25	+85	°C	
Antenna					Internal PCB Antenna
Weight		10		g	

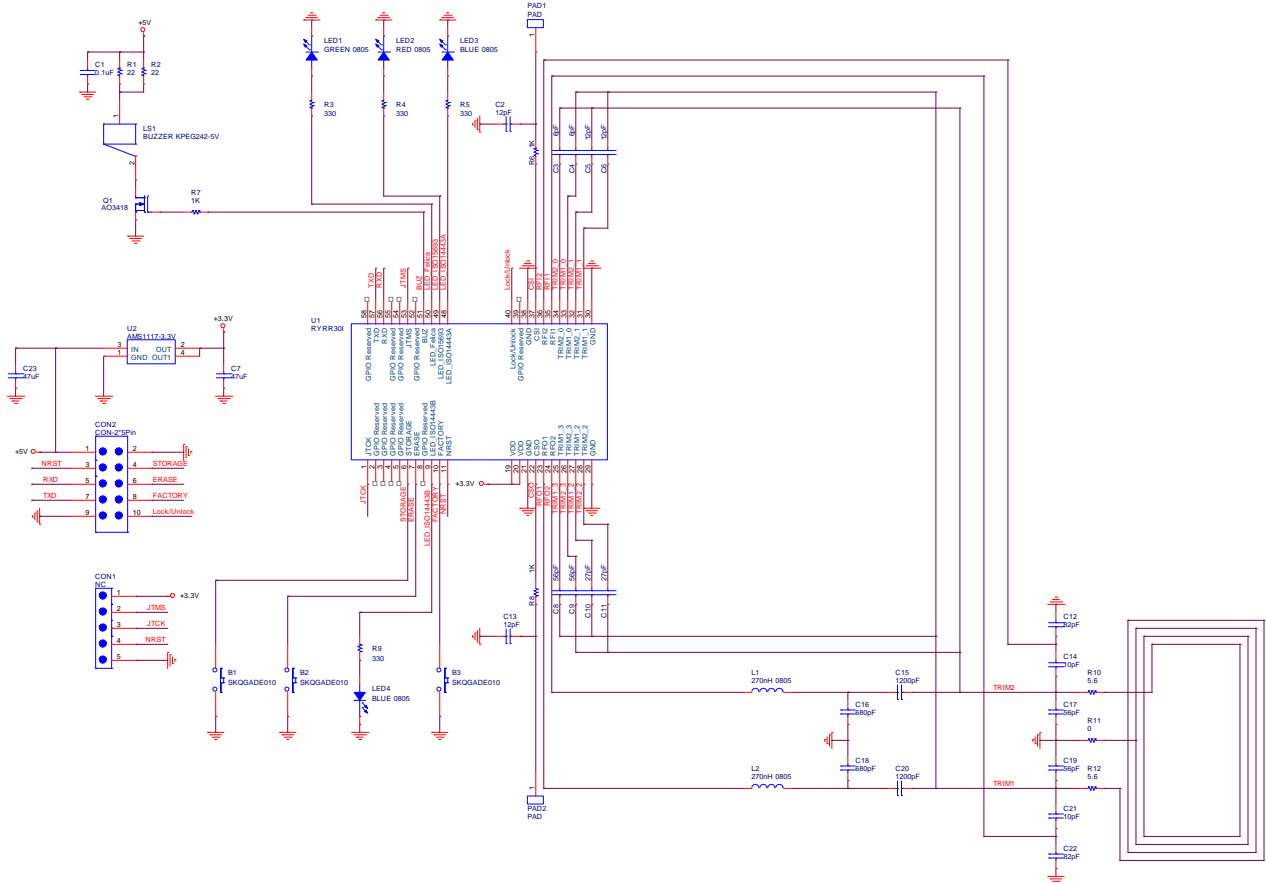
## CON2 PIN DESCRIPTION



Pin	Name	I/O	Condition
1	+5V	I	Power Supply
2	GND	-	GROUND
3	NRST	I	Low reset If this pin is unused, keep open.
4	STORAGE	I	STORAGE UUID.
5	RXD	I	UART Data Input
6	ERASE	I	ERASE UUID.
7	TXD	O	UART Data Output

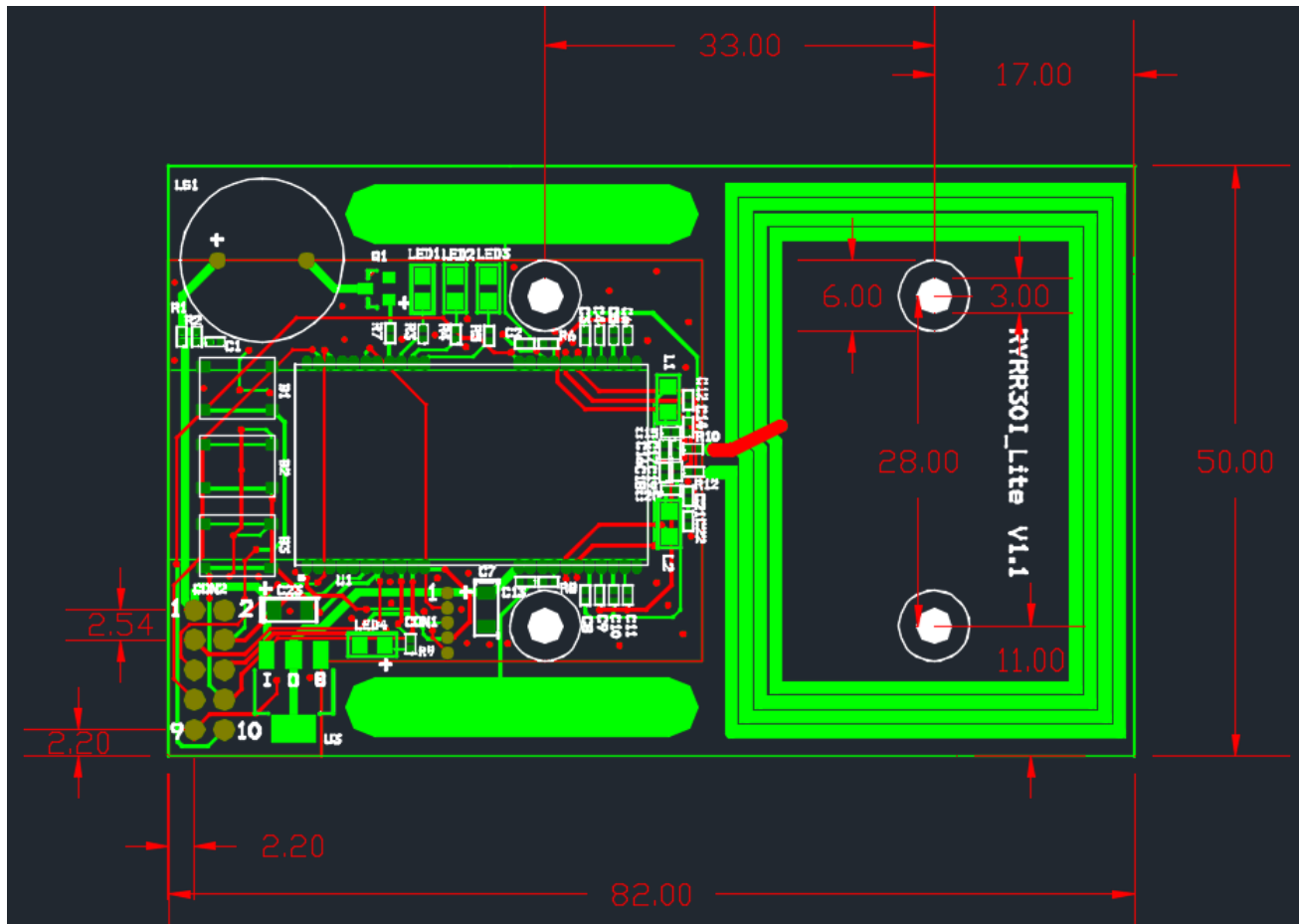
8	FACTORY	I	FACTORY RESET.
9	GND	-	GROUND
10	Lock/Unlock	O	Lock/Unlock Signals Output

## SCHEMATIC



REYAX RYRR301_Lite		
Doc	Document Number	Rev
Cur	CurRevDoc	1.1
Date	Thursday, October 17, 2019	Sheet 1 of 1

## DIMENSIONS



unit : mm PCB Thickness 1.6mm

**REYAX**  
TECHNOLOGY CORPORATION, LTD

**Taiwan:** sales@reyax.com

**China:** sales@reyax.com.cn

**<http://reyax.com>**